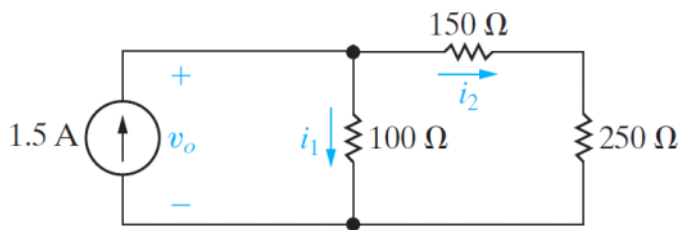


## Exercise 2, EEL 3004c, Dr. Nazanin Rahnavard

### Question 1 (P 2.19 (10th edition))

- Find the currents  $i_1$  and  $i_2$  in the circuit in Fig. P2.19.
- Find the voltage  $v_o$ .
- Verify that the total power developed equals the total power dissipated.

Figure P2.19



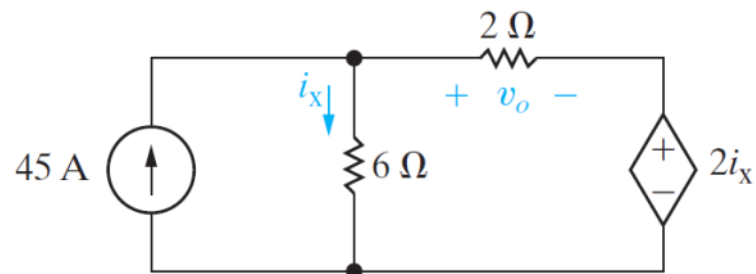
## Exercise 2, Question 2

Sunday, January 22, 2023 12:53 PM

### P2.32 (edition 10)

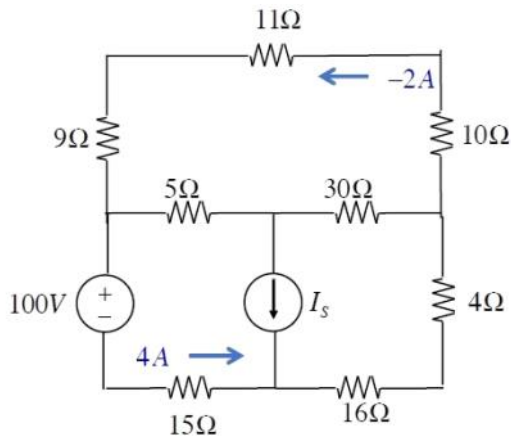
For the circuit shown in Fig. P2.32, find  $v_o$  and the total power supplied in the circuit.

Figure P2.32



# Exercise 2, Question 3

Find:  $I_s = ?$



Calculate the power for all circuit elements and check the power balance.